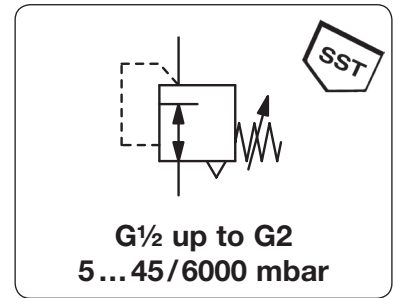


# Low Pressure Regulator Made of Stainless Steel Throughout

R3100

<b>Description</b>	Precision low pressure regulator with large diaphragm, completely made of stainless steel.		
<b>Media</b>	compressed air or gases		
<b>Supply pressure</b>	max. 6 bar		
<b>Air consumption</b>	without constant bleed		
<b>Adjustment</b>	by adjusting screw at R3100-04, with locknut by T-handle at R3100-08 to -16, with locknut		
<b>Relieving function</b>	non-relieving		
<b>Gauge port</b>	G $\frac{1}{4}$ on both sides of the body, one screw plug supplied		
<b>Mounting position</b>	any		
<b>Temperature range</b>	0 °C to 60 °C / 32 °F to 140 °F, optionally high temperature version up to 130 °C / 266 °F		
<b>Material</b>	Body: stainless steel 316L, material no. 1.4404	O-rings: FKM	Inner valve: stainless steel 316L / 1.4404
	Diaphragm: NBR/Buna-N with PTFE coating		



Dimensions			K <sub>v</sub> value (m <sup>3</sup> /h)	Flow rate		Connection thread G	Pressure range mbar	Order number
A	B	C		m <sup>3</sup> /h*1	l/min*1			

Low pressure regulator							made of stainless steel, supply pressure max. 6 bar, non-relieving, PTFE diaphragm and FKM o-ring	R3100
80	170	37	0.4	36	600	G $\frac{1}{2}$ *3	5 ... 45 20 ... 200 150 ... 700	R3100-04A R3100-04C R3100-04D
125	275	66	1.8	180	3000	G1	20 ... 50 50 ... 100 100 ... 700 700 ... 6000	R3100-08A R3100-08B R3100-08D R3100-08G
200	355	90	5.7	480	8000	G1 $\frac{1}{2}$	20 ... 50 50 ... 150 150 ... 300 300 ... 3000	R3100-12A R3100-12B R3100-12D R3100-12G
200	355	90	5.7	480	8000	G2	20 ... 50 50 ... 150 150 ... 300 300 ... 3000	R3100-16A R3100-16B R3100-16D R3100-16G

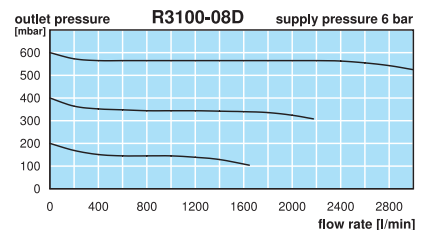
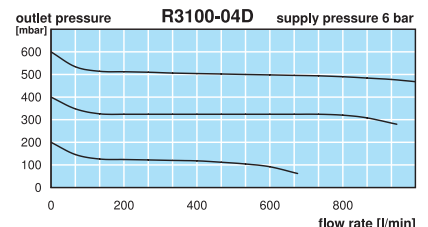
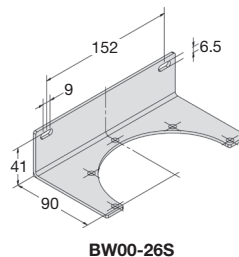
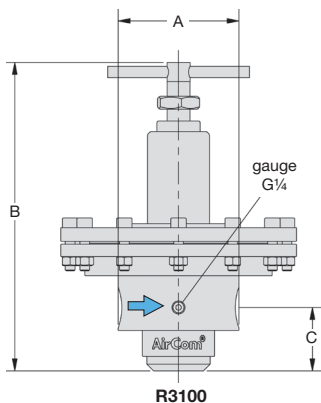


## Special options, add the appropriate letter

<b>NPT</b>	connection thread	R3100-... N
<b>nitrogen</b> N <sub>2</sub> : 07	<b>ammonia</b> NH <sub>3</sub> : 02	<b>carbon dioxide</b> CO <sub>2</sub> : R3100-... 03
<b>argon</b> Ar: 05	<b>helium</b> He: 09	<b>hydrogen</b> H <sub>2</sub> : R3100-... 11
<b>methane</b> CH <sub>4</sub> : 13	<b>oxygen</b> O <sub>2</sub> : 15	<b>propane</b> C <sub>3</sub> H <sub>8</sub> : R3100-... 16
		<b>nitrous oxide</b> N <sub>2</sub> O: R3100-... 17
<b>flange connection</b>	see end of the chapter / flanges	R3100-... F.

## Accessories, enclosed

<b>pressure gauge</b>	Ø 63 mm, 0...*2 mbar, G $\frac{1}{4}$ , capsule type Ø 63 mm, 0...*2 bar, G $\frac{1}{4}$ , Bourdon tube connection parts required	up to 600 mbar from 1 bar on	MS6302-... *2 MS6302-... *2
<b>connection parts gauge</b>		for G $\frac{1}{2}$	AM-03S
<b>mounting bracket</b>		for G $\frac{1}{2}$	BW00-26S



\*1 at 6 bar supply pressure and 1 bar pressure drop      \*3 G $\frac{1}{4}$  thread at outlet  
\*2 B6 = 0...60 mbar, C3 = 0...250 mbar, C4 = 0...400 mbar, C6 = 0...600 mbar, 02 = 0...2 bar, 04 = 0...4 bar, 06 = 0...6 bar

Gauges: see chapter for measuring devices

PDF CAD  
www.aircom.net

Order example:  
R3100-04A